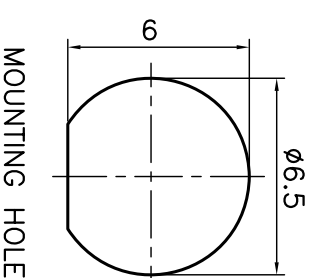
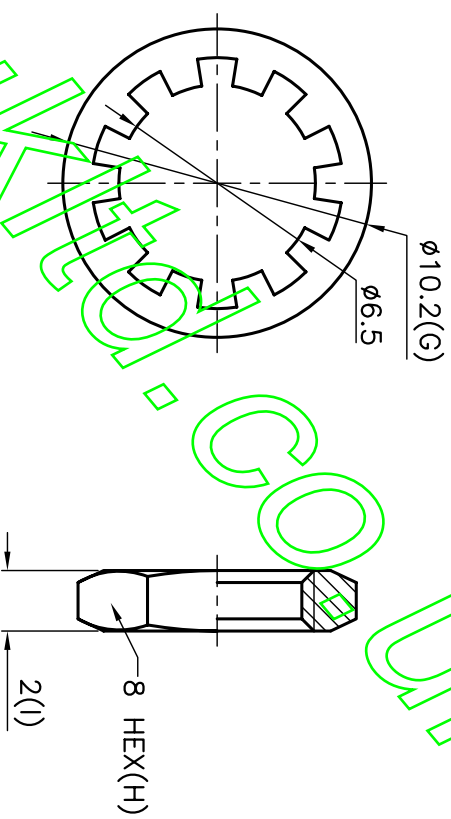
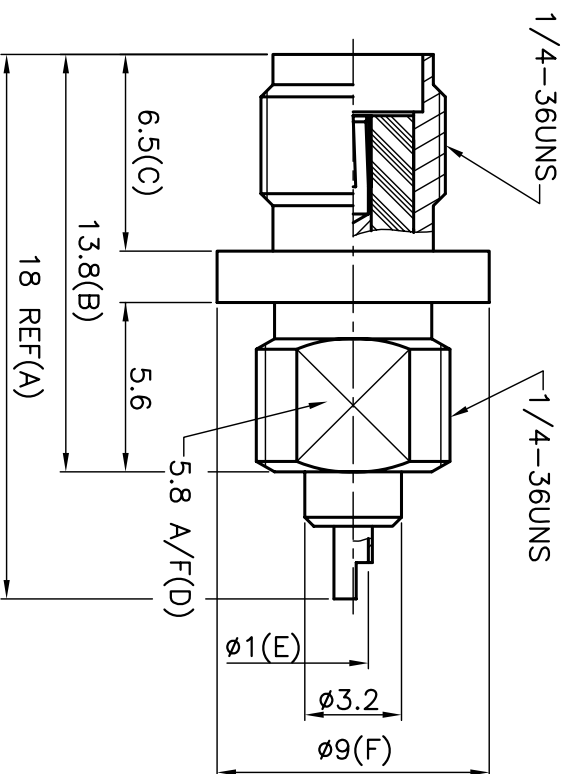


ISS	REVISIONS	DESCRIPTION \ DATE

RoHS COMPLIANT



MOUNTING HOLE

**CONNECTORS CABLES**  
**FBSS**  
**SPECIALISTS LTD**

TITLE: SMA FEMALE BULKHEAD FRONT MOUNT

PART NO: SMABUSS50

DRAWING NO: . . . . .

APRD:	UNLESS OTHERWISE SPECIFIED TOLERANCES 0.5-6 = ±0.2 >6-30 = ±0.4 >30-120 = ±0.6 >120-315 = ±1.0 >315-1000 = ±1.6 ANGLES = ±5°
CHKD:	
DR:	
DATE: 09/04/07"	UNIT: mm
	SCALE: 4/1

NO.	DESCRIPTION	MATERIAL	FINISH
	NUT	BRASS	GOLD
	WASHER	STEEL	GOLD
	CONTACT PIN	PHOSPHOR BRONZE	GOLD
	INSULATOR	TEFLON	WHITE
	BODY	BRASS	GOLD
		MATERIAL	FINISH